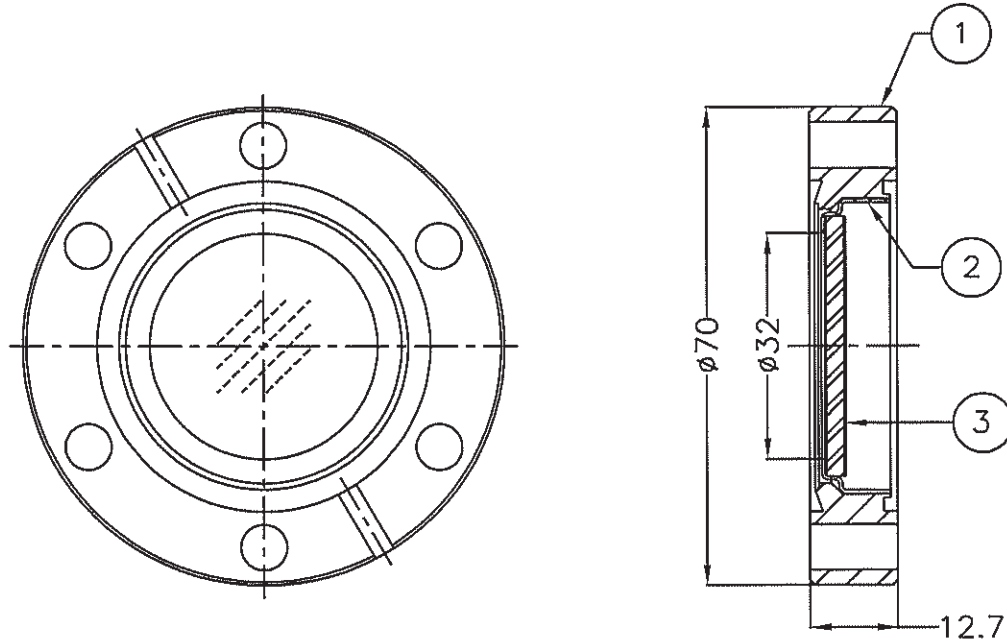


Rev	ALT' No.	Note	By	Date
-	-	INITIAL ISSUE.	CA	29.03.10



Item	Description	Part No.	Qty
3	TANTALUM WELD RING	N/A	1
2	CaF2 OPTIC	N/A	1
1	70mm OD 316LN CF FLANGE	N/A	1

Torr Scientific Ltd  
 Unit 11, Peabottom Rural Business Centre, Peabottom  
 Lane, Bexhill-on-sea, East Sussex, TN40 2RZ.  
 This drawing/document is copyright and the property  
 of Torr Scientific Ltd. It must not be copied (in  
 whole or in part) used for manufacture or otherwise  
 disclosed without prior written consent of the  
 company. Any copies of this drawing/document made  
 by any method must also include a copy of this  
 legend. © Copyright 2010 Torr Scientific Ltd

Material 316LN ST STL &  
 CALCIUM FLUORIDE  
 DO NOT SCALE IF  
 IN DOUBT ASK

Dimensional Tolerance  
 Unless otherwise specified  
 x ±0.5  
 x.x ±0.25  
 x.xx ±0.1  
 Dimensions in m.m  
 Angular tolerance ± 0.5°

Drawn by. CA  
 Date. 29-03-10  
 Check by. [Signature]  
 Scale. 1:1 @ A4  
 Approved by. [Signature]  
 Third Angle Projection

Title. CALCIUM FLUORIDE  
 VIEWPORT ASSEMBLY.  
 Drawing No. BVPZ38CaF2-NM-SALES  
 Issue -



AS